

FORTRIS BOLT LOCK → LOCKING PROCEDURE

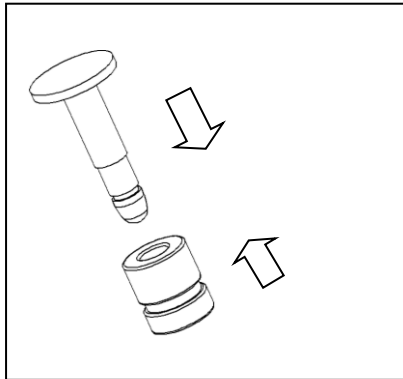


Diagram A

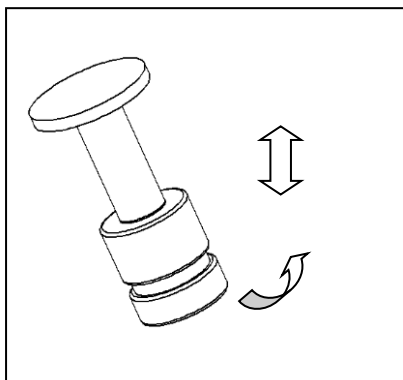


Diagram B

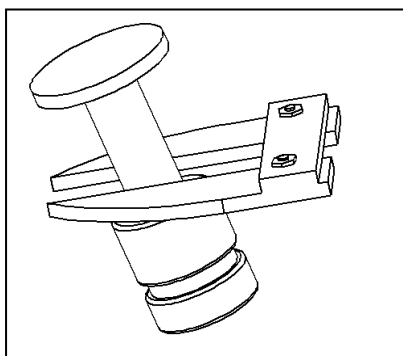


Diagram C

STEP 1

Insert the pin directly into the locking chamber & press to lock the seal, as shown in Diagram A.

STEP 2

After locking, slightly pull back the pin outwards to confirm that the seal is locked properly, as shown in Diagram B.

STEP 3

To remove the seal, use a bolt cutter and cut at the pin shaft, as shown in Diagram C. For safety purpose, ensure proper protective equipments are worn while removing the seal.