

MEGA CASINO BOX → LOCKING PROCEDURE

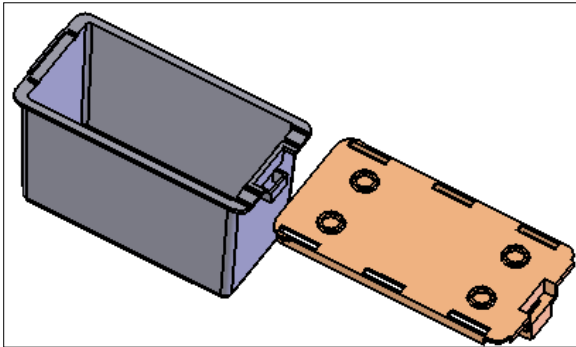


Diagram A

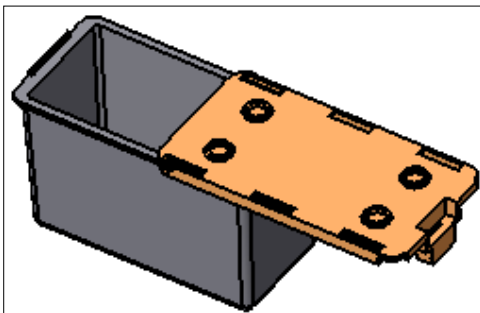


Diagram B

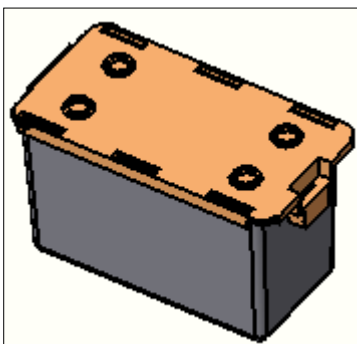


Diagram C

STEP 1

Hold the casino box base in one hand and the cover in another, as shown in Diagram A.

STEP 2

Slide the cover into the box base at the correct side, as shown in Diagram B.

STEP 3

Push the cover in till the maximum, as shown in Diagram C, to close the box.