

TRIPLE LOCK CASINO SEAL → LOCKING PROCEDURE

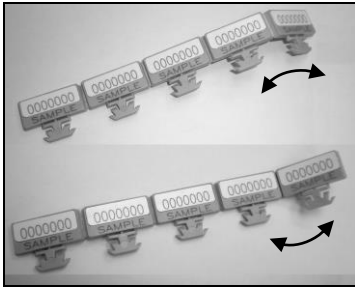


Diagram A

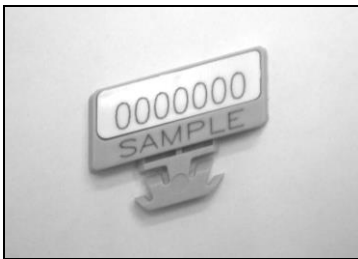


Diagram B

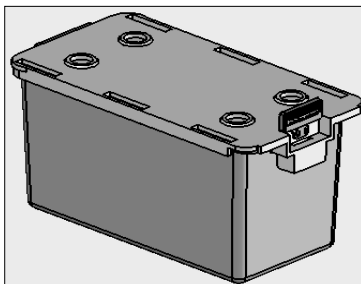


Diagram C

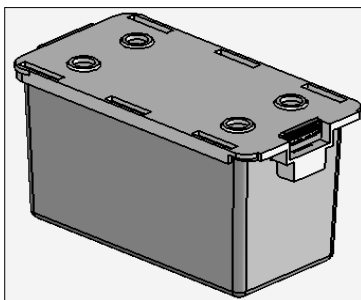


Diagram D

STEP 1

Detach each seal from the mat of 5 by first bending it backwards at the joint followed by forward bending till it breaks, as shown in Diagram A.

STEP 2

Hold the seal using one hand with the locking facing downwards, as shown in Diagram B.

STEP 3

Insert the seal at the entry hole of the box, as shown in Diagram C.

STEP 4

After inserting, push the seal till you hear a “click” to indicate that it has securely locked, as shown in Diagram D.