



MEGA FORTRIS
G R O U P

HIGH SECURITY SEAL **FLEXI KLICK (FLXK)**

Container Bolt Seal

Flexibility and security in a click.

Flexi Klick is uniquely designed with flexibility added into its strong locking mechanism. This feature prevents ricochet and provides a strong resistance against tampering. Flexi Klick complies with ISO 17712 and CTPAT. The seal's flexibility complements its high security. These seals include the BioSphere bio-additive.

To provide eco-conscious solutions on a wide array of applications, all Mega Fortris' security seal product lines with plastic content will include the BioSphere bio-additive from 13th May 2024.

Applications:

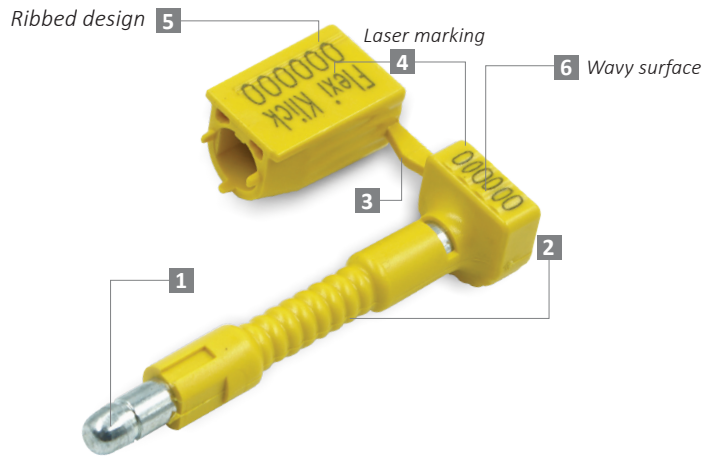
- Containers
- Trucks
- Trailers
- Rail Cars



Our biodegradable plastic additives go deeper, allowing microbes to consume the C-C bonds within plastic's structure at a macromolecular level. This increases the surface area of plastic products and enables plastophilic microbes to attach to the polymer's newfound cavities. So, unlike regular plastic that can sit in a landfill for hundreds or thousands of years, plastic enhanced with BioSphere attracts over 600 different types of microbes that effectively digest and consume it.

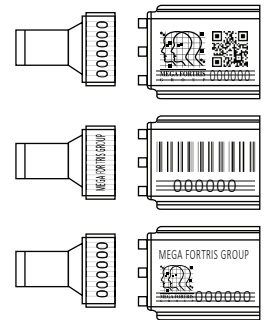
PREVENTION · PROTECTION · PEACE OF MIND



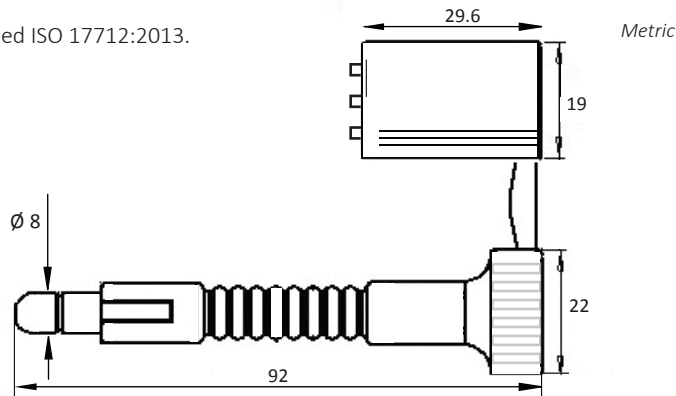


- 1 The Flexi Klick comes with a locking mechanism that allows only one-way entry and provides strong resistance against tampering.
- 2 The extra long flexible steel wire cable pin allows easy application and is safer to cut and provides excellent protection against crude tools. The pin will bend upon impact.
- 3 The pin and bush are moulded in high-impact PP material to form into a durable pin and plastic barrel while withstanding extreme weather conditions of -20°C to 80°C. Pin and barrel are paired engraved for easier handling.
- 4 Irreversible identifiers such as name, logo, barcode, serial number and QR code are laser-marked on the pin and barrel to prevent parts substitution or replacement.
- 5 Ribbed design on the plastic barrel prevents tampering on the identifier.
- 6 Additional wavy printing surface on pin gives clear evidence of tampering or removal of identifiers.
- 7 These seals include the BioSphere bio-additive.
- 8 The seal is designed, tested and certified ISO 17712:2013.

LASER MARKING OPTION



VIEW APPLICATION VIDEO



TECHNICAL SPECIFICATIONS

PRODUCT - FLEXI KLICK (FLXK)

Code	Material	Lockin Length (mm)	Pin Diameter (mm)	Tensile Strength (kgf)	Marking Area (mm)	Max Marking Digits
FLXK	Plastic : High-impact Polypropylene (PP) Pin & Bush : Hardened Steel & Wire Cable	79 (3.1 in)	ø 8.0 (0.3 in)	≥1000 (≥2204.6 lbf)	Pin: 7 x 18 (0.3 x 0.7 in) Barrel: 15 x 25 (0.6 x 1.0 in)	Serial no : 8 Barcode : 8

PACKAGING

Carton	Quantity	Dimensions (mm)	Gross Weight (kg)	Volume (m ³)	Standard Pastel Colours
Inner	250	362 x 222 x 255 (14.3 x 8.7 x 10.9 in)	16.25 (35.8 lb)	0.02 (0.7 cu.ft.)	Body : WH PSYL PSOR PSRD PSBL PSGN BK

For colour customisations, kindly contact us for further information.

Updated Date : 29 July 2025