



MEGA FORTRIS
G R O U P

HIGH SECURITY SEAL

FORT CONTAINER SEAL WITH RFID (FCS-R)

Container Bolt Seal

Enhanced security with our upgraded Fort Container Seal with RFID technology.

This Mega Fortris patented seal boasts a two-colour design and wavy surface, ensuring defined visibility while providing an additional layer of security. Compliant with ISO 17712 and CTPAT standards, this seal features an innovatively designed locking mechanism which offers clear evidence of tampering. With the added RFID function, track and monitor your assets with greater precision and peace of mind. These seals include the BioSphere bio-additive.

To provide eco-conscious solutions on a wide array of applications, all Mega Fortris' security seal product lines with plastic content will include the BioSphere bio-additive from 13th May 2024.

Applications:

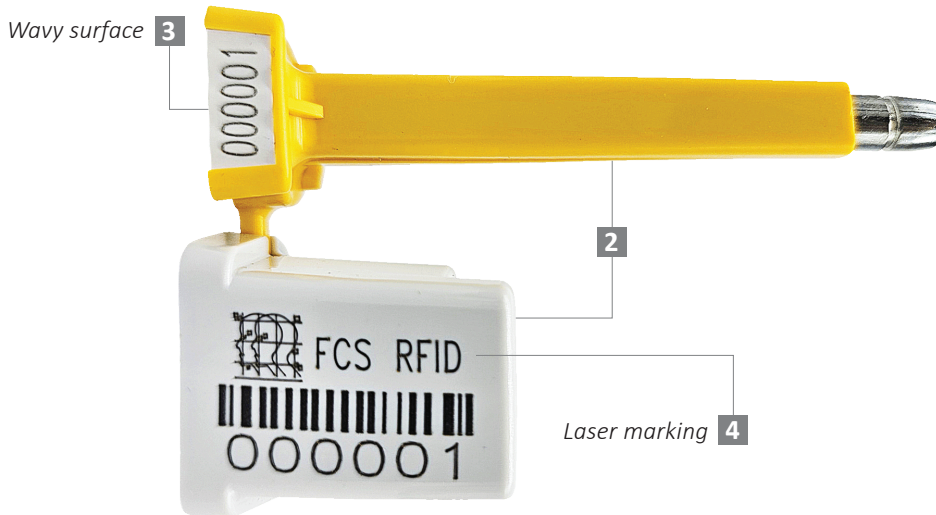
- Containers
- Trucks
- Trailers
- Rail Cars



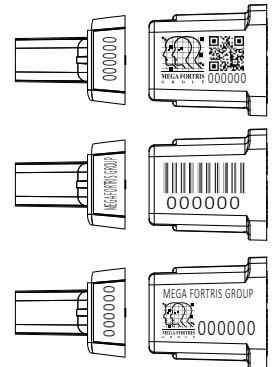
Our biodegradable plastic additives go deeper, allowing microbes to consume the C-C bonds within plastic's structure at a macromolecular level. This increases the surface area of plastic products and enables plastophilic microbes to attach to the polymer's newfound cavities. So, unlike regular plastic that can sit in a landfill for hundreds or thousands of years, plastic enhanced with BioSphere attracts over 600 different types of microbes that effectively digest and consume it.

PREVENTION · PROTECTION · PEACE OF MIND





LASER MARKING OPTION

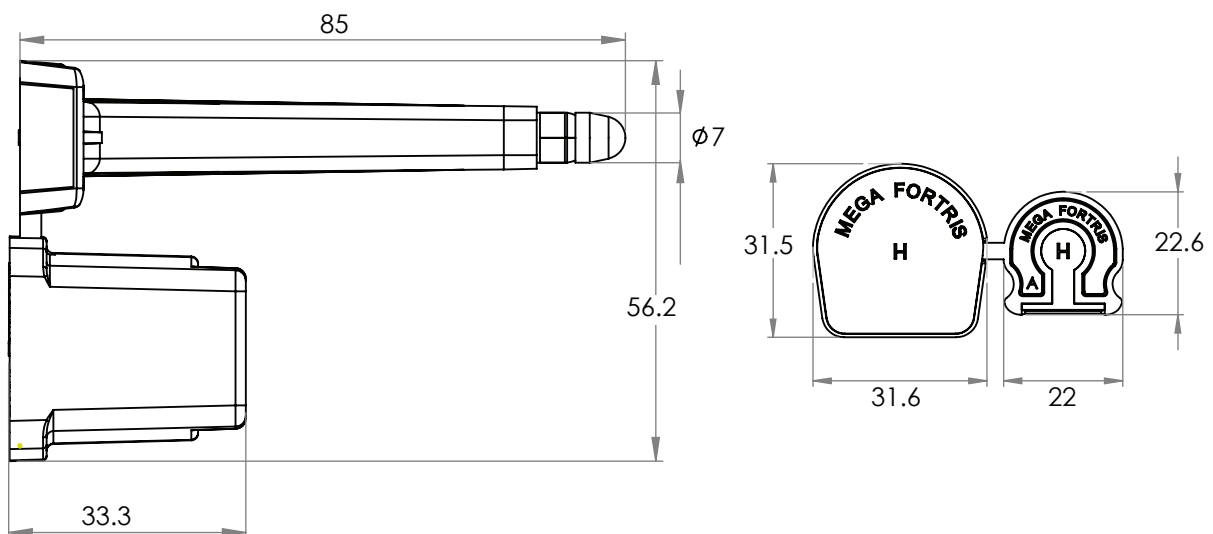


VIEW APPLICATION VIDEO



- 1 The Fort Container Seal with RFID comes with a locking mechanism that allows only one-way entry and provides strong resistance against tampering.
- 2 The pin and bush are moulded in high-impact PP material to form into a durable pin and plastic barrel while withstanding extreme weather conditions of -20°C to 80°C. Pin and barrel are paired engraved for easier handling.
- 3 Two colours on the pin and barrel improve laser markings definition, visibility, and identification. Additional wavy printing surface on pin gives clear evidence of tampering or removal of identifiers.
- 4 Irreversible identifiers such as name, logo, barcode, serial number and QR code are laser-marked on the pin and barrel to prevent parts substitution or replacement.
- 5 The added RFID function has a range detection of maximum 5 meters and it allows for the transparency of the movements of the secured assets.
- 6 These seals include the BioSphere bio-additive.
- 7 The seal is designed, tested and certified ISO 17712:2013.

Metric



TECHNICAL SPECIFICATIONS

PRODUCT - FORT CONTAINER SEAL WITH RFID (FCS-R)

Code	Material	Locking Length	Pin Diameter	Tensile Strength	Marking Area	Max Marking Digits
FCS-R	Plastic : Polypropylene High Impact (PP HI) Cover : Polycarbonate Cap : Acrylonitrile Butadine Styrene (ABS) Pin & Bush : Hardened Steel	55 mm (2.2 in)	∅ 7 mm (0.3 in)	≥1000 kgf (≥2204.6 lbf)	Pin: 7 x 13 mm (0.28 x 0.51 in) Barrel : 16 x 33 mm (0.63 x 1.3 in)	Serial no : 10 Barcode : 10

RFID SPECIFICATIONS & THE MECHANICAL SPECIFICATIONS

Electrical Characteristic	General Characteristic of Transponder	Mechanical Specifications
Air Interface Protocol : EPC CLASS 1 GEN 2, ISO18000-63 Operation Frequency : 860-960 MHz Memory : 128 bit EPC	Operating Temperature : (-40 / +85)°C Shelf Life (2 years from the date of manufacturing) : +20°C, 50% RH Technology : Passive Tamper Detection : No Range Detection : 5 Meter Max (depends on the boundary area)	Size : 42 X 16 mm Material : White PET 50 Adhesive : RA-2

PACKAGING

Carton	Quantity	Dimensions (mm)	Gross Weight (kg)	Volume (m ³)	Standard Solid Colours
Outer	TBC	TBC	TBC	TBC	Body : WH BL YL GN OR RD BK

Marking flap : WH

Cover & Cap : WH

For colour customisations, kindly contact us for further information.

Updated Date : 29 July 2025