



HIGH SECURITY SEAL **KLICKEK 2K (KLC 2K)** Container Bolt Seal

Two colours for defined visibility.

Klicker 2K is the world's first two-coloured container bolt seal, patented by Mega Fortris. This seal complies with ISO 17712 and CTPAT with clear evidence of tampering from its innovatively designed locking mechanism. These seals include the BioSphere bio-additive.

To provide eco-conscious solutions on a wide array of applications, all Mega Fortris' security seal product lines with plastic content will include the BioSphere bio-additive from 13th May 2024.

Applications:

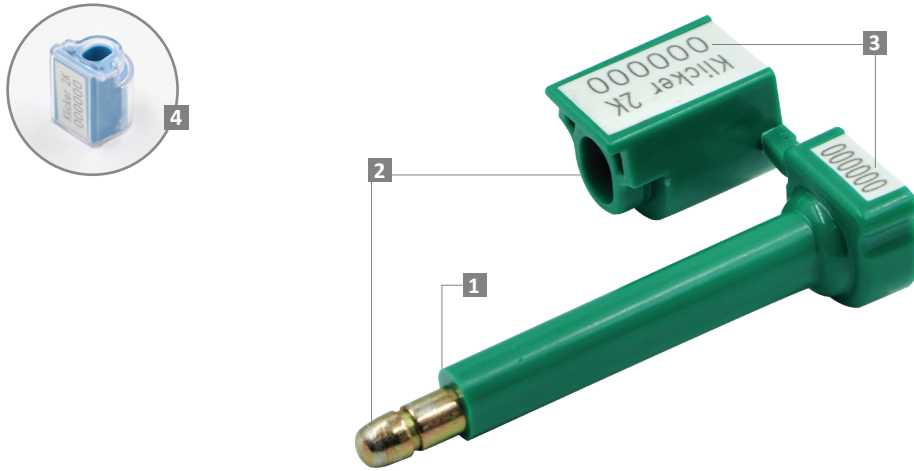
- Containers
- Trucks
- Trailers
- Rail Cars



Our biodegradable plastic additives go deeper, allowing microbes to consume the C-C bonds within plastic's structure at a macromolecular level. This increases the surface area of plastic products and enables plastophilic microbes to attach to the polymer's newfound cavities. So, unlike regular plastic that can sit in a landfill for hundreds or thousands of years, plastic enhanced with BioSphere attracts over 600 different types of microbes that effectively digest and consume it.

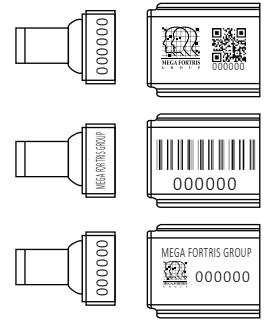
PREVENTION · PROTECTION · PEACE OF MIND



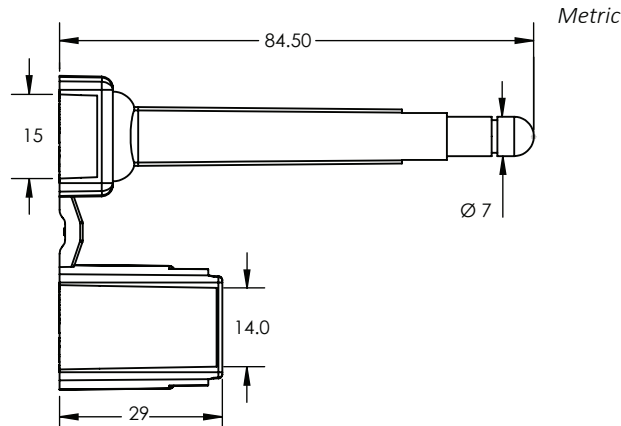


- 1** The Klicker 2K comes with a locking mechanism that allows only one-way entry and provides strong resistance against tampering.
- 2** Hardened steel pin and bush are moulded in high-impact PP material to form into a durable pin and plastic barrel while withstanding extreme weather conditions of -20°C to 80°C. Pin and barrel are paired engraved for easier handling.
- 3** Irreversible identifiers such as name, logo, barcode, serial number and QR code are laser-marked on the pin and barrel to prevent parts substitution or replacement.
- 4** An optional transparent cover on the barrel further secures the identifier and provides high visibility.
- 5** Two colours on the pin and barrel marking areas provide improved laser marking visibility.
- 6** These seals include the BioSphere bio-additive.
- 7** The seal is designed, tested and certified ISO 17712:2013.

LASER MARKING OPTION



VIEW APPLICATION VIDEO



TECHNICAL SPECIFICATIONS

PRODUCT - KLICKER 2K (KLC 2K)

Code	Material	Locking Length (mm)	Pin Diameter (mm)	Tensile Strength (kgf)	Marking Area (mm)	Max Marking Digits
KLC 2K	Plastic : High-impact Polypropylene (PP) Pin & Bush : Hardened Steel	52 (2.0 in)	Ø 7 (0.3 in)	≥1000 (≥2204.6 lbf)	Pin: 5 x 40 (0.2 x 1.7 in) Barrel: 10 x 24 (0.4 x 0.9 in)	Serial no : 8 Barcode : 8

PACKAGING

Carton	Quantity	Dimensions (mm)	Gross Weight (kg)	Volume (m ³)	Standard Solid Colours
No cover Inner	250	505 x 337 x 141 (19.8 x 13.3 x 5.6 in)	17.2 (37.9 lb)	0.024 (0.8 cu.ft.)	Body : <input type="checkbox"/> WH <input type="checkbox"/> BL <input type="checkbox"/> YL <input type="checkbox"/> GN <input type="checkbox"/> OR <input type="checkbox"/> RD <input type="checkbox"/> BK
Cover Inner		508 x 345 x 160 (20.0 x 13.6 x 6.3 in)	19 (41.9 lb)	0.028 (1.0 cu.ft.)	Marking flap : <input type="checkbox"/> WH

For colour customisations, kindly contact us for further information.

Updated Date : 16 May 2025