



MEGA FORTRIS
G R O U P

HIGH SECURITY SEAL **MEGA CONTAINER SEAL (MCS)**

Container Bolt Seal

Elementary yet comprehensive structure for high security requirements.

The Mega Container Seal complies to ISO 17712 and CTPAT, providing clear evidence of tampering. The seal features an optional transparent cover on the barrel for enhanced protection of the laser marking. These seals include the BioSphere bio-additive. To provide eco-conscious solutions on a wide array of applications, all Mega Fortris' security seal product lines with plastic content will include the BioSphere bio-additive from 13th May 2024.

Applications:

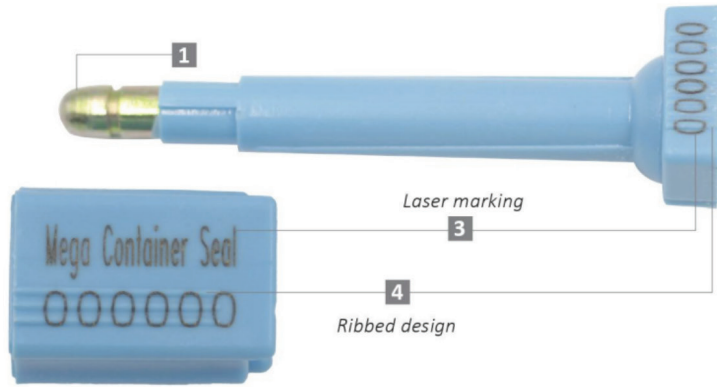
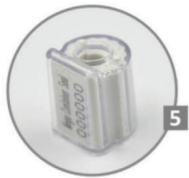
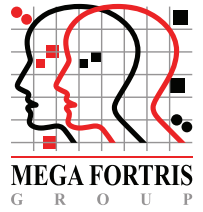
- Containers
- Trucks
- Trailers
- Rail Cars



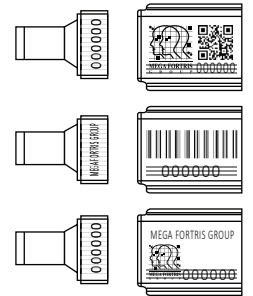
Our biodegradable plastic additives go deeper, allowing microbes to consume the C-C bonds within plastic's structure at a macromolecular level. This increases the surface area of plastic products and enables plastophilic microbes to attach to the polymer's newfound cavities. So, unlike regular plastic that can sit in a landfill for hundreds or thousands of years, plastic enhanced with BioSphere attracts over 600 different types of microbes that effectively digest and consume it.

PREVENTION · PROTECTION · PEACE OF MIND





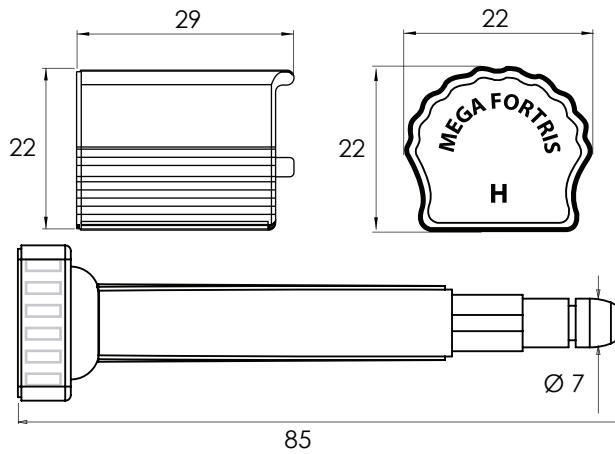
LASER MARKING OPTION



VIEW APPLICATION VIDEO



- 1 The Mega Container Seal has a uniquely shaped pin and barrel to mitigate “spin attacks”. The locking mechanism is designed to allow only one-way entry with 180° turning for easy application and reading of the laser marked identifier.
- 2 Hardened steel pin and bush are moulded in high-impact PP material to form into a durable pin and plastic barrel while withstanding extreme weather conditions of -20°C to 80°C.
- 3 Irreversible identifiers such as name, logo, barcode and QR code are laser-marked on the pin and barrel to prevent parts substitution or replacement.
- 4 Ribbed design on the plastic barrel prevents tampering on the identifier.
- 5 An optional transparent cover on the barrel further secures the identifier and provides high visibility.
- 6 These seals include the BioSphere bio-additive.
- 7 The seal is designed, tested and certified ISO 17712:2013.



TECHNICAL SPECIFICATIONS

PRODUCT - MEGA CONTAINER SEAL (MCS)

Code	Material	Locking Length	Pin Diameter	Tensile Strength	Marking Area	Max Marking Digits
MCS	Plastic : High-impact Polypropylene (PP) Pin & Bush : Hardened Steel	70mm (2.8 in)	∅ 7 mm (0.3 in)	≥1000 kgf (≥2204.6 lbf)	Pin: 6 x 18 mm (0.2 x 0.7 in) Barrel: 25 x 13 mm (1.0 x 0.5 in)	Serial no : 8 Barcode : 8

PACKAGING

Carton	Quantity	Dimensions (mm)	Gross Weight (kg)	Volume (m³)	Standard Solid Colours
Inner	250	362 x 222 x 255 (14.3 x 8.7 x 10.0 in)	17.55 (38.69 lbs)	0.02 (0.7 cu.ft.)	Body : WH BL YL GN OR RD BK

For colour customisations, kindly contact us for further information.

Updated Date : 29 July 2025