

## INDICATIVE SEAL CLIP ON SEAL (CLP)

### Application Seal

#### ***Fundamental and feasible piece for quick utility security.***

A gas cylinder cap is used to secure the valve of a gas cylinder. This cap is typically made of polypropylene plastic and it fits securely and snugly over the cylinder valve. Its features include clear evidence of tampering and laser marking of unique identifiers with a maximum of 5 digits.

These seals include the BioSphere bio-additive.

To provide eco-conscious solutions on a wide array of applications, all Mega Fortris' security seal product lines with plastic content will include the BioSphere bio-additive from 13th May 2024.

#### **Applications:**

- LPG gas industries



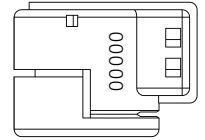
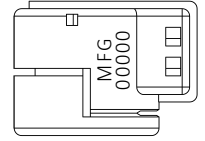
Our biodegradable plastic additives go deeper, allowing microbes to consume the C-C bonds within plastic's structure at a macromolecular level. This increases the surface area of plastic products and enables plastophilic microbes to attach to the polymer's newfound cavities. So, unlike regular plastic that can sit in a landfill for hundreds or thousands of years, plastic enhanced with BioSphere attracts over 600 different types of microbes that effectively digest and consume it.

PREVENTION · PROTECTION · PEACE OF MIND





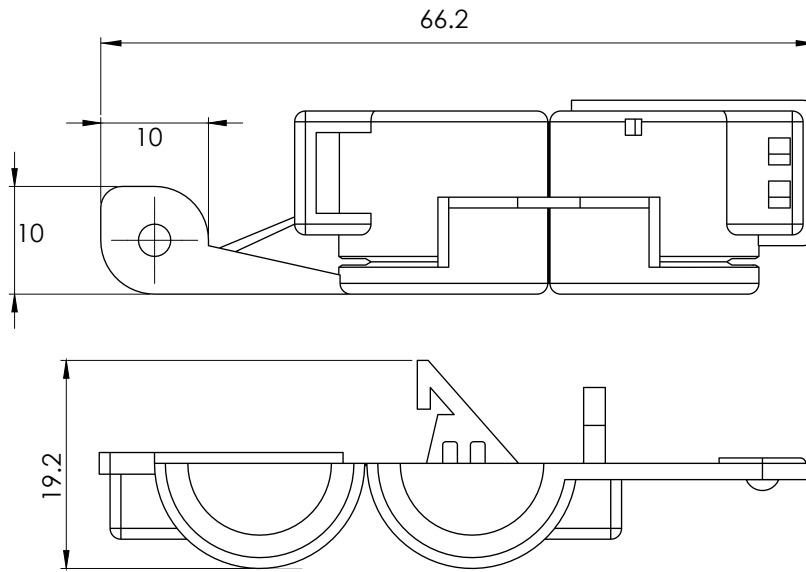
LASER MARKING OPTION



VIEW APPLICATION GIF



1 These seals include the BioSphere bio-additive.



TECHNICAL SPECIFICATIONS

PRODUCT - CLIP ON SEAL						
Code	Material	Locking Length	Locking Size	Tensile Strength	Marking Area	Max Marking Digits
CLP	Plastic body: Polypropylene (PP)	Fixed valve size	Clip on	< 15kgf < 33.1lbf)	Ø10mm (0.4 in)	Serial no : 5

PACKAGING					
Carton	Quantity	Dimensions (mm)	Gross Weight (g)	Volume (m³)	Standard Colours
Inner	1000	362 x 290 x 225 (14.3 x 11.4 x 8.9 in)	2.2	4.317	Body : <input type="checkbox"/> WH <input checked="" type="checkbox"/> PSBL <input type="checkbox"/> BK

Updated Date : 13 May 2024