



INDICATIVE SEAL

FORT MINI PADLOCK (FMP)

Application Seal

Hook locking mechanism and slim structure for versatility and practicability.

Fort Mini Padlock features a hook locking head that is user-friendly in sealing all kinds of locking latches. The seal is designed with a slim and flat-lay structure, hence making it suitable for roughly handled applications. The seal features a large marking area on the coloured body for detailed identifiers, easy reading, and colour coding. These seals include the BioSphere bio-additive.

To provide eco-conscious solutions on a wide array of applications, all Mega Fortris' security seal product lines with plastic content will include the BioSphere bio-additive from 13th May 2024.

Applications:

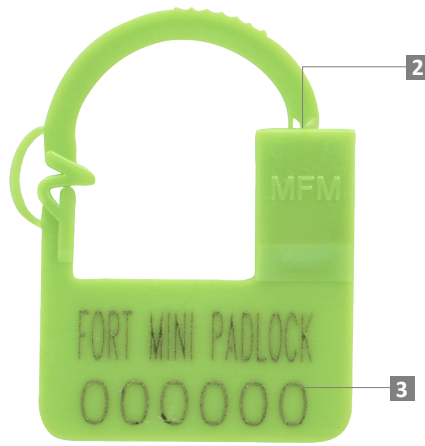
- Authentication Tagging
- Aircraft Carts
- Retail Applications
- F&B Applications



Our biodegradable plastic additives go deeper, allowing microbes to consume the C-C bonds within plastic's structure at a macromolecular level. This increases the surface area of plastic products and enables plastophilic microbes to attach to the polymer's newfound cavities. So, unlike regular plastic that can sit in a landfill for hundreds or thousands of years, plastic enhanced with BioSphere attracts over 600 different types of microbes that effectively digest and consume it.

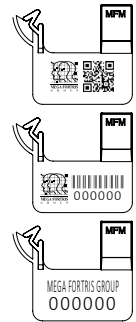
PREVENTION · PROTECTION · PEACE OF MIND



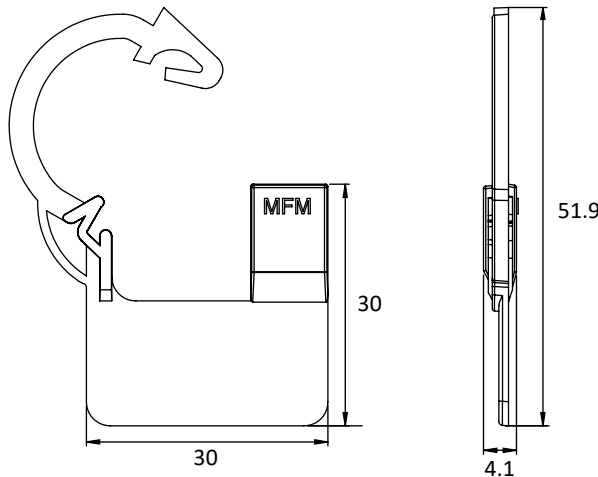


- 1 The Fort Mini Padlock is moulded with PP plastic material to ensure light and durable quality for different applications and clear evidence of tampering.
- 2 One-way snap-on locking mechanism is embedded for fast and easy application, as well as quick tamper-evident removal at the noticeable breaking point.
- 3 Irreversible identifiers such as name, logo, barcode, serial number and QR code are laser-marked on the body.
- 4 These seals include the BioSphere bio-additive.

LASER MARKING OPTION



VIEW APPLICATION VIDEO



TECHNICAL SPECIFICATIONS

PRODUCT - FORT MINI PADLOCK (FMP)					
Code	Material	Locking Length/Size	Tensile Strength	Marking Area	Max Marking Digits
FMP	Plastic : Polypropylene (PP) Temperature Range: -5°C to 80°C	10.5 x 7.7 mm (0.41 x 0.30 in)	≥5 kgf (≥11.0 lbf)	11.5 x 26 mm (0.5 x 1 in)	Serial no : 8 Barcode : 8

PACKAGING					
Carton	Quantity	Dimensions (mm)	Gross Weight (kg)	Volume (m ³)	Standard Pastel Colours
Inner	1000	330 x 220 x 155 (13.0 x 8.7 x 6.1 in)	1.5 (3.3 lb)	0.011 (0.4 cu.ft.)	Body : WH PSYL PSOR PSRD PSBL PSGN BK

For colour customisations, kindly contact us for further information.

Updated Date : 29 July 2025