



MEGA FORTRIS
G R O U P

INDICATIVE SEAL

MM Seal (MMS)

Application Seal

Ample security feature with delicate design for space saving security.

MM Seal is a tamper-evident clip box seal delicately designed with space saving and all-inclusive security features. The seal is suitable for security bags installed with a specific chamber for enhanced security. It has a special breaking point for quick removal and to show clear evidence of tampering. These seals include the BioSphere bio-additive. To provide eco-conscious solutions on a wide array of applications, all Mega Fortris' security seal product lines with plastic content will include the BioSphere bio-additive from 13th May 2024.

Applications:

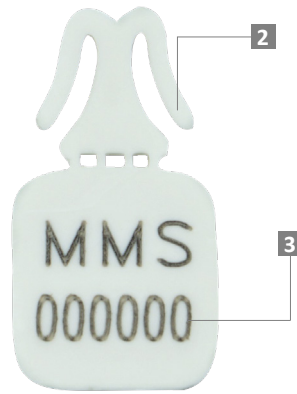
- Authentication Tagging
- Evidence Securing
- Retail Applications
- Banking



Our biodegradable plastic additives go deeper, allowing microbes to consume the C-C bonds within plastic's structure at a macromolecular level. This increases the surface area of plastic products and enables plastophilic microbes to attach to the polymer's newfound cavities. So, unlike regular plastic that can sit in a landfill for hundreds or thousands of years, plastic enhanced with BioSphere attracts over 600 different types of microbes that effectively digest and consume it.

PREVENTION · PROTECTION · PEACE OF MIND





LASER MARKING OPTION



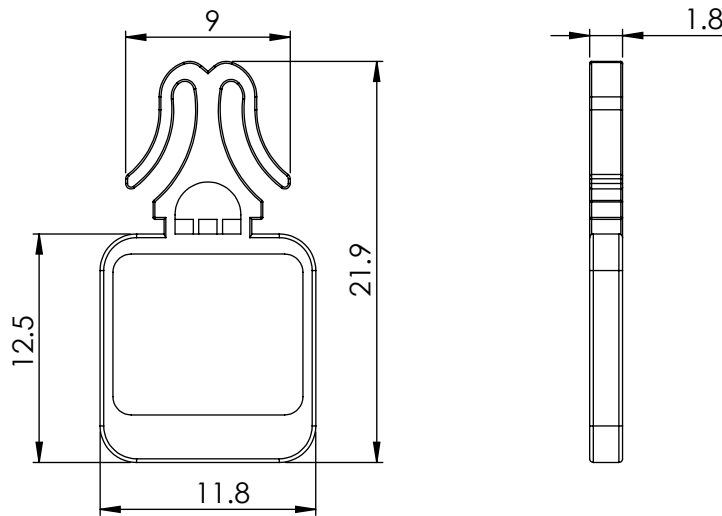
MEGA FORTRIS GROUP
000000

VIEW APPLICATION GIF



PLASTIC UTILITIES SEAL

- 1 The MM Seal is moulded with high-impact ABS material with a grip at the end for quick detection of breaking point and easy removal with clear evidence of tampering.
- 2 One-way snap-on locking mechanism of this seal allows for quick and tight sealing, as well as evidence of tampering or removal.
- 3 Irreversible identifiers such as name, logo, serial number and QR code are laser-marked on the body.
- 4 Colour coding is possible with a wide range of pastel colour options available for the seal.
- 5 These seals include the BioSphere bio-additive.



TECHNICAL SPECIFICATIONS

PRODUCT - MM SEAL (MMS)

Code	Material	Locking Length	Locking Size	Tensile Strength	Marking Area	Max Marking Digits
MMS	Plastic: High-impact Acrylonitrile Butadiene Styrene (ABS)	9 mm (0.36 in)	N/A	≤ 5 kgf	11.8 x 12.5 mm (0.46 x 0.49 in)	Serial no : 6

PACKAGING

Carton	Quantity	Dimensions (mm)	Gross Weight (kg)	Volume (m ³)	Standard Pastel Colours
Inner	1000	125 x 125 x 50 (4.9 x 4.9 x 2 in)	0.3 (0.7 lb)	0.008 (0.283 cu. ft.)	Body : WH PSYL PSOR PSRD PSBL PSGN BK

For colour customisations, kindly contact us for further information.

Updated Date : 21 August 2024