

INDICATIVE SEAL

TRIPLE LOCK CHAMBER SEAL 2K (TLCS 2K)

Application Seal

Two-colour body in a nifty designed body for indication security.

Triple Lock Chamber Seal 2K is innovatively developed with two colour moulding technology, a patent of Mega Fortris. The seal is delicately designed with a specific breaking point for quick removal and tamper-evidence.

It remains close to the application surface after sealing, and is sturdy enough to secure assets during rough handling. These seals include the BioSphere bio-additive.

To provide eco-conscious solutions on a wide array of applications, all Mega Fortris' security seal product lines with plastic content will include the BioSphere bio-additive from 13th May 2024.

Applications:

- Gaming
- Evidence Securing
- Retail Applications
- Banking



Our biodegradable plastic additives go deeper, allowing microbes to consume the C-C bonds within plastic's structure at a macromolecular level. This increases the surface area of plastic products and enables plastophilic microbes to attach to the polymer's newfound cavities. So, unlike regular plastic that can sit in a landfill for hundreds or thousands of years, plastic enhanced with BioSphere attracts over 600 different types of microbes that effectively digest and consume it.

PREVENTION · PROTECTION · PEACE OF MIND





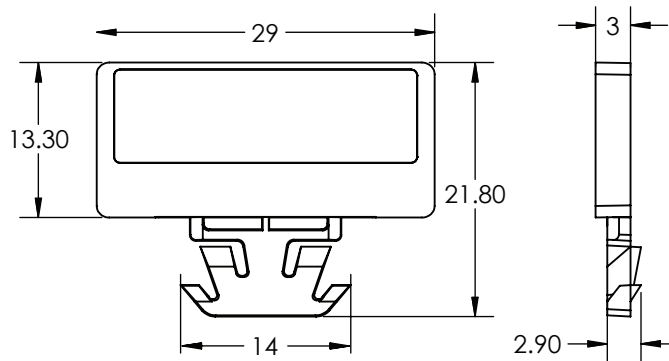
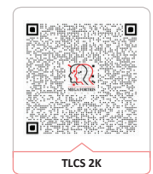
- 1 Triple Lock Chamber Seal 2K is moulded with two colours Polypropylene (PP) material for durability and clear tamper-evidence.
- 2 One-way snap-on locking mechanism of this seal allows quick and tight sealing, as well as show clear evidence of tampering upon removal.
- 3 Two colours on the body improved laser markings definition, visibility, and identification.
- 4 Irreversible identifiers such as name, logo, barcode, serial number and QR code are laser-marked on the flap.
- 5 Colour coding is possible with our standard range of colour options available for the seal.
- 6 These seals include the BioSphere bio-additive.
- 7 The latest design of the new generation allows for more marking space.

LASER MARKING OPTION



MEGA FORTRIS GROUP
000000

VIEW APPLICATION VIDEO



TECHNICAL SPECIFICATIONS

PRODUCT - TRIPLE LOCK CHAMBER SEAL 2K (TLCS 2K)

Code	Material	Locking Size (mm)	Tensile Strength (kgf)	Marking Area (mm)	Max Marking Digits
TLCS 2K	Plastic : Polypropylene (PP)	14.3 (0.56 in)	≤ 5 (11.02 blf)	10 x 22 (0.39 x 0.87 in)	Serial no : 8

PACKAGING

Carton	Quantity	Dimensions (mm)	Gross Weight (kg)	Volume (m³)	Standard Pastel Colours
Inner	4000	314 x 158 x 235 (12.36 x 6.22 x 9.25 in)	5.62 (12.39 lb)	0.012 (0.424 cu. ft.)	Body : WH PSYL PSOR PSRD PSBL PSGN BK Marking flap : WH

For colour customisations, kindly contact us for further information.

Updated Date : 27 February 2026