



SECURITY SEAL

MINI CABLE LOCK PREMIUM 180 (MCLP 180) & MINI CABLE LOCK PREMIUM 180 2K (MCLP 180 2K)

Pull-Tight Barrier Seal

All-inclusive premium seal for security requirements.

Mini Cable Lock Premium 180 is delicately designed with various tamper-evident features. Its advanced version, the Mini Cable Lock Premium 180 2K, is moulded with Mega Fortris' patented two-colour body for improved visibility and to deter tampering attacks. This is the best choice for both identification and security purposes.

These seals include the BioSphere bio-additive.

To provide eco-conscious solutions on a wide array of applications, all Mega Fortris' security seal product lines with plastic content will include the BioSphere bio-additive from 13th May 2024.

Applications:

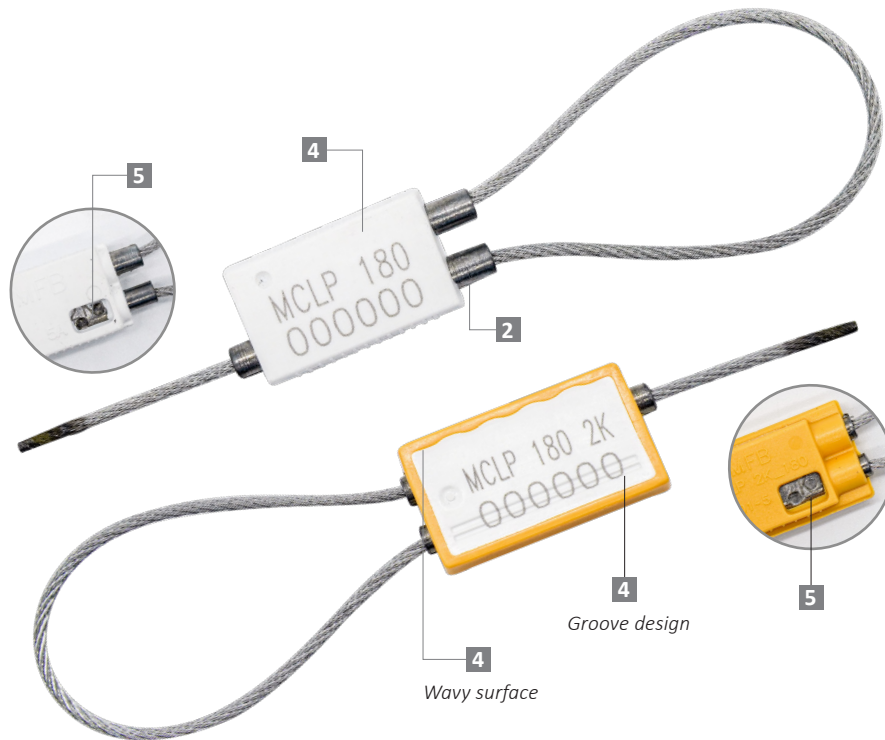
- Valve Sealing
- Retail Applications
- Logistics
- Banking



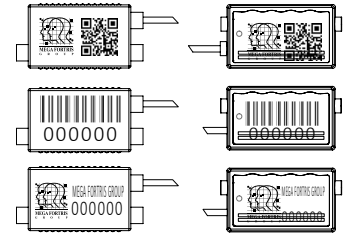
Our biodegradable plastic additives go deeper, allowing microbes to consume the C-C bonds within plastic's structure at a macromolecular level. This increases the surface area of plastic products and enables plastophilic microbes to attach to the polymer's newfound cavities. So, unlike regular plastic that can sit in a landfill for hundreds or thousands of years, plastic enhanced with BioSphere attracts over 600 different types of microbes that effectively digest and consume it.

PREVENTION · PROTECTION · PEACE OF MIND





LASER MARKING OPTION



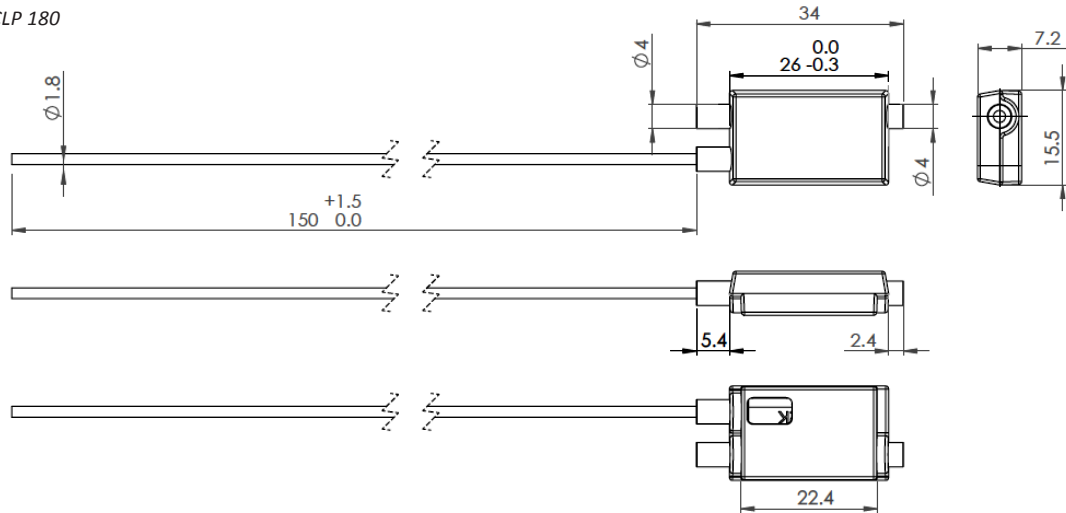
VIEW APPLICATION GIF



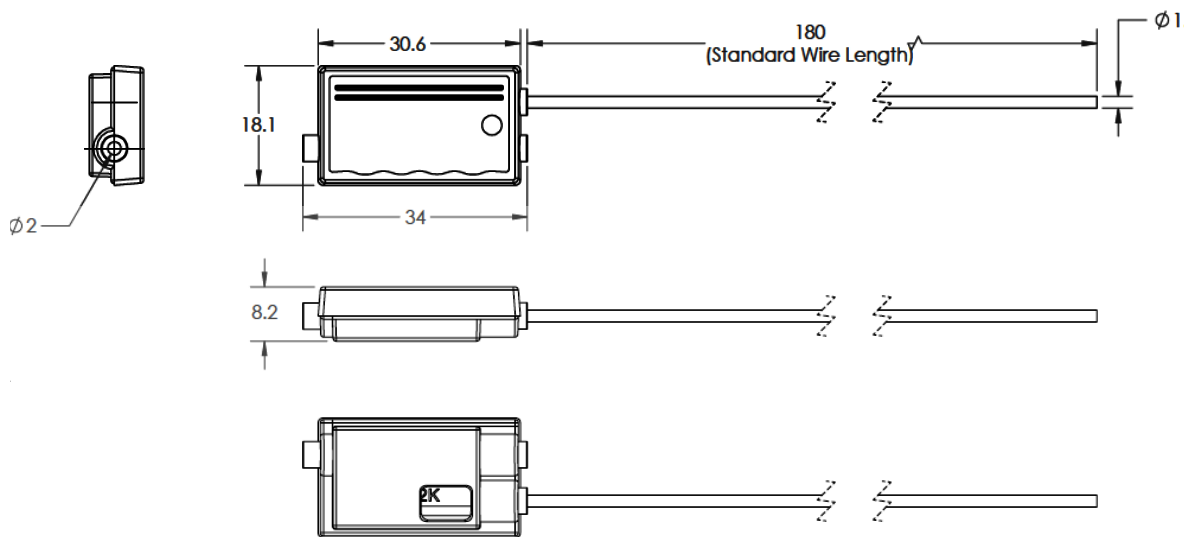
- 1** The Mini Cable Lock Premium 180 and Mini Cable Lock Premium 180 2K are moulded in PP material with non-preformed galvanised steel wire to show clear evidence of tampering.
- 2** One-way locking mechanism is embedded for fast and easy application. The additional tips at both ends provide greater protection. Mini Cable Lock Premium 2K has a grooved design and features an irregular pattern on the body to prevent tampering and give clear evidence of tampering on the identifier.
- 3** Default rigid body allows for durable usage of the seal while the additional colour on the 2K body improves definition of laser markings, visibility, and identification.
- 4** Irreversible identifiers such as name, logo, barcode, serial number and QR code are laser-marked on the body.
- 5** The exposed wire press area serves as a tamper-evidence feature, indicating that the wire is securely locked in place and protecting the product from any attempts at pre-tampering.
- 6** These seals include the BioSphere bio-additive.
- 7** Plastic material can withstand extreme weather conditions of -20°C to 80°C.

Updated Date : 14 November 2024

MCLP 180



MCLP 180 2K



TECHNICAL SPECIFICATIONS

*Customisable cable length upon request.

PRODUCT - MINI CABLE LOCK PREMIUM 180 (MCLP 180) & MINI CABLE LOCK PREMIUM 180 2K (MCLP 180 2K)

Code	Material	Cable Length	Cable Diameter	Tensile Strength	Marking Area	Max Marking Digits
MCLP 180	Body : Zinc Plastic : Polypropylene (PP)	180 mm (7.1 mm)	Ø 1.8 mm (0.1 in)	≥250 kgf (≥551.2 lbf)	12 x 22 mm (0.5 x 0.9 in)	Serial no : 8 Barcode : 7
MCLP 180 2K	Locking Component : Hardened Steel Cable : Galvanised Steel Wire				10 x 19 mm (0.4 x 0.7 in)	Serial no : 10 Barcode : 8

PACKAGING

Carton	Quantity	Dimensions (mm)	Gross Weight (kg)	Volume (m ³)	Standard Pastel Colours
MCLP 180 Inner	500	300 x 280 x 120 (11.8 x 11.0 x 4.7 in)	5.50 (12.1 lbs)	0.010 (0.4 cu.ft.)	Body : WH PSYL PSOR PSRD PSBL PSGN BK
MCLP 180 2K Inner			6.25 (13.8 lbs)		Marking flap : WH MCLP 180 2K

For colour customisations, kindly contact us for further information.

Carton size and weight vary according to cable length. Figures shown in the table are for the standard cable length packaging. Please contact us for additional details.

Updated Date : 14 November 2024