

HIGH SECURITY SEAL CONTAINER BOLT LOCK (CBL)

Container Bolt Seal

Two options for greater security.

Container Bolt Lock complies to ISO 17712 and CTPAT with it featuring two types of pins to counter forced removal. Made of hardened steel, it gives greater strength and reinforced security. It is truly the fundamental piece for high-value assets securing. These seals include the BioSphere bio-additive.

To provide eco-conscious solutions on a wide array of applications, all Mega Fortris' security seal product lines with plastic content will include the BioSphere bio-additive from 13th May 2024.

Applications:

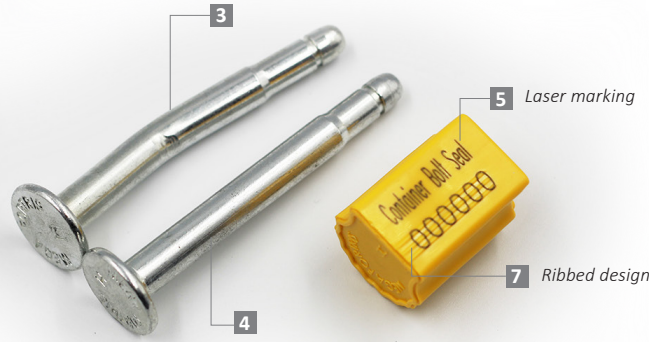
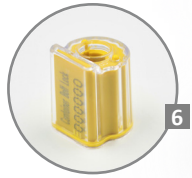
- Containers
- Trucks
- Trailers
- Rail Cars



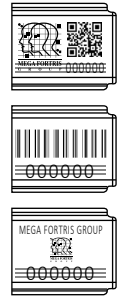
Our biodegradable plastic additives go deeper, allowing microbes to consume the C-C bonds within plastic's structure at a macromolecular level. This increases the surface area of plastic products and enables plastophilic microbes to attach to the polymer's newfound cavities. So, unlike regular plastic that can sit in a landfill for hundreds or thousands of years, plastic enhanced with BioSphere attracts over 600 different types of microbes that effectively digest and consume it.

PREVENTION · PROTECTION · PEACE OF MIND





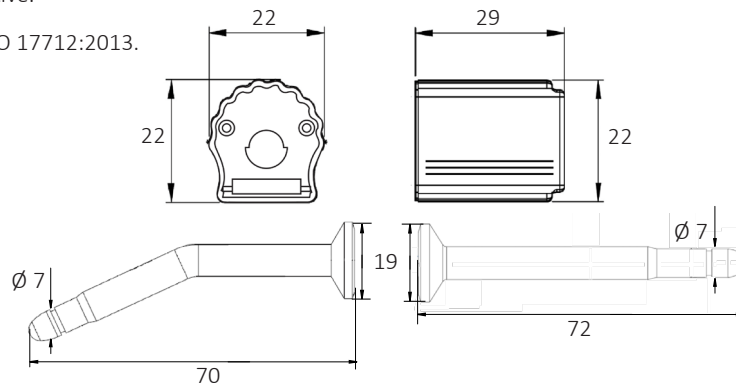
LASER MARKING OPTION



VIEW APPLICATION GIF



- 1 The Container Bolt Lock is made of hardened steel pin and bush. PP material is moulded over the bush to form into a plastic barrel for durability while withstanding extreme weather conditions of -20°C to 80°C.
- 2 The pin is available in angled or straight option for various applications and requirements.
- 3 Angled pin is stronger to counter forced removal for any door latches.
- 4 Straight pin is rigid and versatile with its securing ability guaranteed.
- 5 Irreversible identifiers such as name, logo, barcode, serial number and QR code are laser-marked on the barrel for higher security.
- 6 Ribbed design on the barrel prevents tampering on the identifier.
- 7 An optional transparent cover on the barrel further secures the identifier and provides high visibility.
- 8 These seals include the BioSphere bio-additive.
- 9 The seal is designed, tested and certified ISO 17712:2013.



TECHNICAL SPECIFICATIONS

PRODUCT - CONTAINER BOLT LOCK (CBL)						
Code	Material	Locking Length	Pin Diameter	Tensile Strength	Marking Area	Max Marking Digits
CBL - straight pin	Plastic : High-impact Polypropylene (PP) Pin & Bush : Hardened Steel Straight Pin	45 mm (1.8 in)	Ø 7 mm (0.3 in)	≥1000 kgf (≥2204.6 lbf)	14 x 25 mm (0.6 x 1.0 in)	Serial no : 8 Barcode : 8
CBL - angled pin	Plastic : High-impact Polypropylene (PP) Pin & Bush : Hardened Steel Angled Pin	42 mm (1.7 in)				

PACKAGING						
Carton	Quantity	Dimensions (mm)	Gross Weight (kg)	Volume (m³)	Standard Pastel Colours	
CBL - straight pin Inner	250	300 x 270 x 160 (11.8 x 10.6 x 6.3 in)	15.15 (33.07 lb)	0.013 (0.5 cu.ft.)	Barrel :	<input type="checkbox"/> WH <input type="checkbox"/> PSYL <input type="checkbox"/> PSOR <input type="checkbox"/> PSRD <input type="checkbox"/> PSBL <input type="checkbox"/> PSGN
CBL - angled pin Inner			14.15 (32 lb)		<input type="checkbox"/> BK	

For colour customisations, kindly contact us for further information.

Updated Date : 06 May 2024