



HIGH SECURITY SEAL FLEXI KLICK 2K (FLXK 2K)

Container Bolt Seal

Flexibility and security in a click.

Flexi Klick 2K is uniquely designed with flexibility added into its strong locking mechanism. This feature prevents ricochet and comes with an anti-spinning feature. In addition to its flexibility, the Flexi Klick 2K is also moulded with Mega Fortris' patented two-colour body for improved visibility and to deter tampering attacks. Flexi Klick 2K is ISO 17712 and CTPAT compliant. These seals include the BioSphere bio-additive.

To provide eco-conscious solutions on a wide array of applications, all Mega Fortris' security seal product lines with plastic content will include the BioSphere bio-additive from 13th May 2024.

Applications:

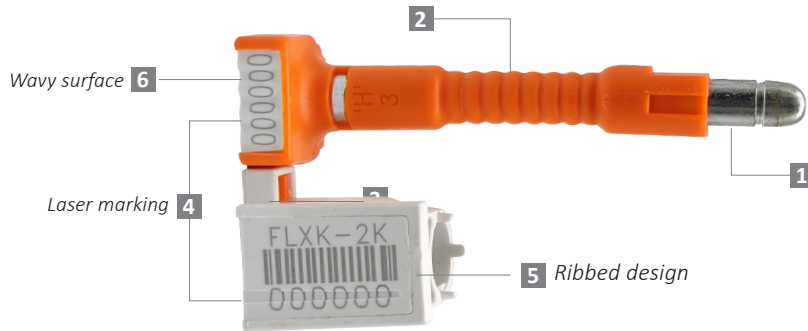
- Containers
- Trucks
- Trailers
- Rail Cars



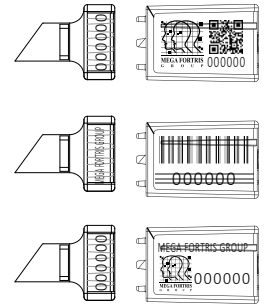
Our biodegradable plastic additives go deeper, allowing microbes to consume the C-C bonds within plastic's structure at a macromolecular level. This increases the surface area of plastic products and enables plastophilic microbes to attach to the polymer's newfound cavities. So, unlike regular plastic that can sit in a landfill for hundreds or thousands of years, plastic enhanced with BioSphere attracts over 600 different types of microbes that effectively digest and consume it.

PREVENTION · PROTECTION · PEACE OF MIND





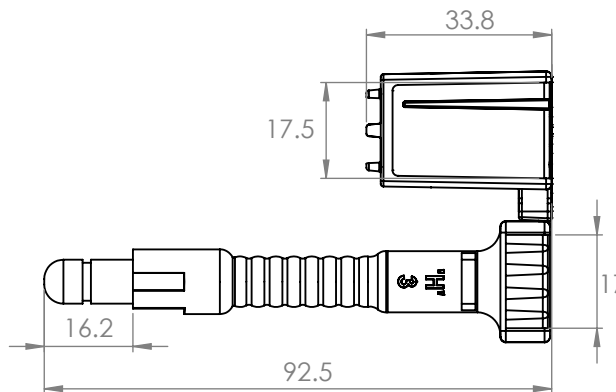
LASER MARKING OPTION



VIEW APPLICATION GIF



- 1 The Flexi Klick 2K comes with an anti-spinning design that the locking mechanism allows only one-way entry and hinders friction from external force.
- 2 The extra long flexible steel wire cable pin allows easy application and is safer to cut and provides excellent protection against crude tools. The pin will bend upon impact.
- 3 The pin and bush are moulded in high-impact PP material to form into a durable pin and plastic barrel while withstanding extreme weather conditions of -20°C to 80°C. Pin and barrel are paired engraved for easier handling.
- 4 Irreversible identifiers such as name, logo, barcode, serial number and QR code are laser-marked on the pin and barrel to prevent parts substitution or replacement.
- 5 Ribbed design on the plastic barrel prevents tampering on the identifier.
- 6 Additional wavy printing surface on pin gives clear evidence of tampering or removal of identifiers.
- 7 These seals include the BioSphere bio-additive.



TECHNICAL SPECIFICATIONS

PRODUCT - FLEXI KLICK 2K (FLXK 2K)

Code	Material	Locking Length	Pin Diameter	Tensile Strength	Marking Area	Max Marking Digits
FLXK 2K	Plastic : Polypropylene High Impact (PP HI) Pin & Bush : Harden Steel + Galvanize wire	58.6 mm (2.3 in)	∅ 8.0 mm (0.3 in)	≥1000 kgf (≥2204.6 lbf)	Bush: 17.5 x 29 mm (0.7 x 1.14 in) Pin: 6.7 x 17 mm (0.3 x 0.7 in)	Serial no : 8 Barcode : 8

PACKAGING

Carton	Quantity	Dimensions (mm)	Gross Weight (kg)	Volume (m ³)	Standard Pastel Colours							
Inner	TBC	TBC	TBC	TBC	Body :	WH	PSYL	PSOR	PSRD	PSBL	PSGN	BK
					Flap :	WH						

For colour customisations, kindly contact us for further information.

Updated Date : 06 May 2024