

## INDICATIVE SEAL FORT MINI PADLOCK (FMP) Application Seal

***Hook locking mechanism and slim structure for versatility and practicability.***

Fort Mini Padlock features a hook locking head that is user-friendly in sealing all kinds of locking latches. The seal is designed with a slim and flat-lay structure, hence making it suitable for roughly handled applications. The seal features a large marking area on the coloured body for detailed identifiers, easy reading, and colour coding. These seals include the BioSphere bio-additive.

To provide eco-conscious solutions on a wide array of applications, all Mega Fortris' security seal product lines with plastic content will include the BioSphere bio-additive from 13th May 2024.

### Applications:

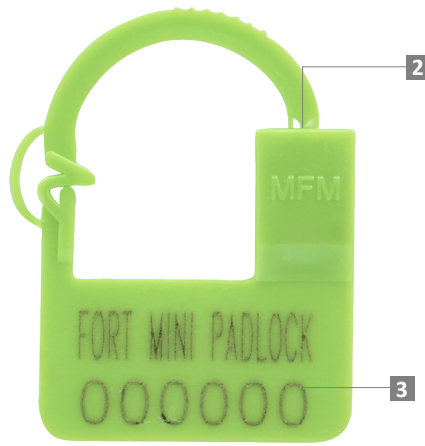
- Authentication Tagging
- Aircraft Carts
- Retail Applications
- F&B Applications



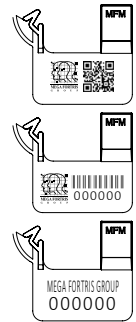
Our biodegradable plastic additives go deeper, allowing microbes to consume the C-C bonds within plastic's structure at a macromolecular level. This increases the surface area of plastic products and enables plastophilic microbes to attach to the polymer's newfound cavities. So, unlike regular plastic that can sit in a landfill for hundreds or thousands of years, plastic enhanced with BioSphere attracts over 600 different types of microbes that effectively digest and consume it.

PREVENTION · PROTECTION · PEACE OF MIND





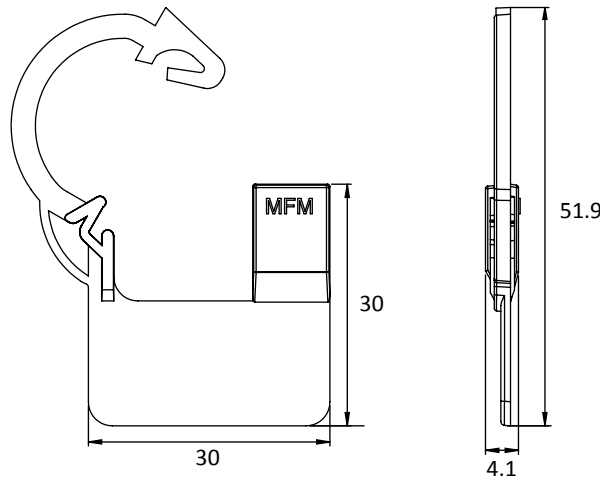
LASER MARKING OPTION



VIEW APPLICATION GIF



- 1 The Fort Mini Padlock is moulded with PP plastic material to ensure light and durable quality for different applications and clear evidence of tampering.
- 2 One-way snap-on locking mechanism is embedded for fast and easy application, as well as quick tamper-evident removal at the noticeable breaking point.
- 3 Irreversible identifiers such as name, logo, barcode, serial number and QR code are laser-marked on the body.
- 4 These seals include the BioSphere bio-additive.



TECHNICAL SPECIFICATIONS

PRODUCT - FORT MINI PADLOCK (FMP)					
Code	Material	Locking Length/Size	Tensile Strength	Marking Area	Max Marking Digits
FMP	<b>Plastic :</b> Polypropylene (PP) Temperature Range: -5°C to 80°C	10.5 x 7.7 mm (0.41 x 0.30 in)	≥5 kgf (≥11.0 lbf)	11.5 x 26 mm (0.5 x 1 in)	<b>Serial no : 8</b> <b>Barcode : 8</b>

PACKAGING					
Carton	Quantity	Dimensions (mm)	Gross Weight (kg)	Volume (m <sup>3</sup> )	Standard Pastel Colours
Inner	1000	330 x 220 x 155 (13.0 x 8.7 x 6.1 in)	1.5 (3.3 lb)	0.011 (0.4 cu.ft.)	Body : <span>WH</span> <span>PSYL</span> <span>PSOR</span> <span>PSRD</span> <span>PSBL</span> <span>PSGN</span> <span>BK</span>

For colour customisations, kindly contact us for further information.

Updated Date : 10 May 2024