



MEGA FORTRIS
G R O U P

HIGH SECURITY SEAL

KLICHER (KLC)

Container Bolt Seal

Well-renowned piece for maximum security.

Klicker is the first container bolt seal in Mega Fortris, innovatively designed with an anti-spinning pin and barrel to prevent tampering. This seal complies to ISO 17712 and CTPAT, ensures highest possible security for high-value assets. These seals include the BioSphere bio-additive.

To provide eco-conscious solutions on a wide array of applications, all Mega Fortris' security seal product lines with plastic content will include the BioSphere bio-additive from 13th May 2024.

Applications:

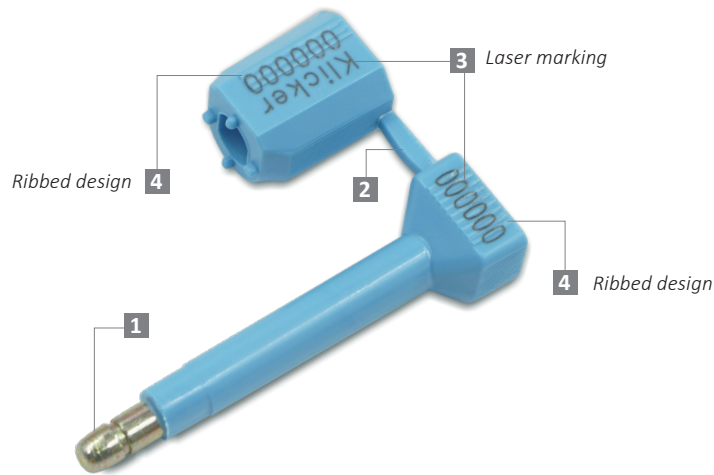
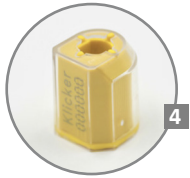
- Containers
- Trucks
- Trailers
- Rail Cars



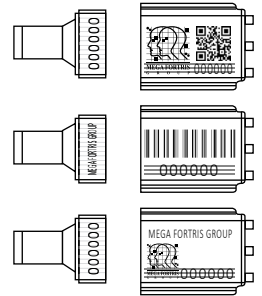
Our biodegradable plastic additives go deeper, allowing microbes to consume the C-C bonds within plastic's structure at a macromolecular level. This increases the surface area of plastic products and enables plastophilic microbes to attach to the polymer's newfound cavities. So, unlike regular plastic that can sit in a landfill for hundreds or thousands of years, plastic enhanced with BioSphere attracts over 600 different types of microbes that effectively digest and consume it.

PREVENTION · PROTECTION · PEACE OF MIND





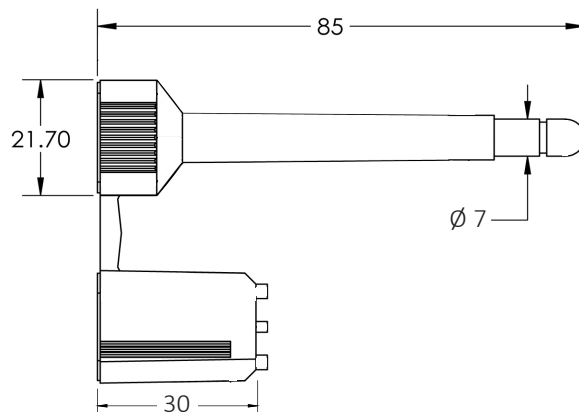
LASER MARKING OPTION



VIEW APPLICATION GIF



- 1 The Klicker comes with an anti-spinning design that the locking mechanism allows only one-way entry and hinders friction from external force.
- 2 Hardened steel pin and bush are moulded in high-impact PP material to form into a durable pin and plastic barrel while withstanding extreme weather conditions of -20°C to 80°C. Pin and barrel are paired engraved for easier handling.
- 3 Irreversible identifiers such as name, logo, barcode, serial number and QR code are laser-marked on the pin and barrel to prevent parts substitution or replacement.
- 4 An optional transparent cover on the barrel further secures the identifier and provides high visibility.
- 5 These seals include the BioSphere bio-additive.
- 6 The seal is designed, tested and certified ISO 17712:2013.



TECHNICAL SPECIFICATIONS

PRODUCT - KLICKER (KLC)

Code	Material	Locking Length	Pin Diameter	Tensile Strength	Marking Area	Max Marking Digits
KLC	Plastic : High-impact Polypropylene (PP) Pin & Bush : Hardened Steel	55 mm (2.2 in)	Ø 7.0 mm (0.3 in)	≥1000 kgf (≥2204.6 lbf)	Pin: 5 x 40 mm (0.2 x 1.6 in) Barrel: 10 x 24 mm (0.4 x 0.9 in)	Serial no: 8 Barcode: 8

PACKAGING

Carton	Quantity	Dimensions (mm)	Gross Weight (kg)	Volume (m ³)	Standard Solid Colours
Outer	Without Cover 25 sets x 10 pcs	508 x 365 x 150 (20 x 14.4 x 5.9 in)	17 (37.5 lb)	0.0278 (0.98 cu.ft.)	Body : WH BL YL GN OR RD BK
	With Cover 25 sets x 10 pcs	508 x 378 x 170 (20 x 14.9 x 6.7 in)	18.25 (40.2 lb)	0.0326 (1.15 cu.ft.)	

For colour customisations, kindly contact us for further information.

Updated Date : 06 May 2024