



MEGA FORTRIS
G R O U P

HIGH SECURITY SEAL

MAXI CABLE BREAKAWAY 500 (MCB 500)

Pull-Tight Barrier Seal

Economical and feasible seal for maximum security.

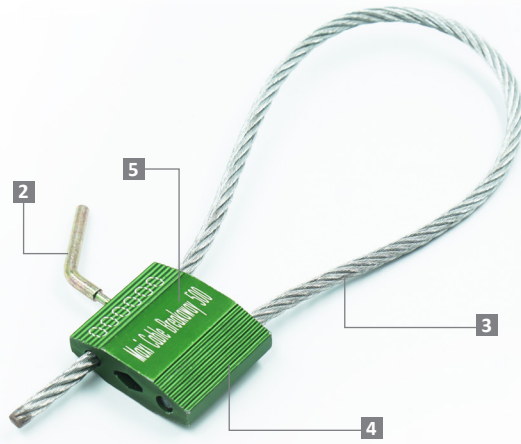
Maxi Cable Breakaway 500 features a special shear bolt locking mechanism where its shaft will break when it is tightened to secure the asset. It is highly affordable yet offers high tensile strength for maximum security level, making it the best choice for high-security purposes.

Applications:

- Containers
- Trucks
- Trailers
- Rail Cars

PREVENTION · PROTECTION · PEACE OF MIND

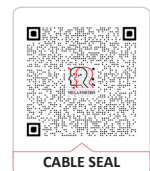




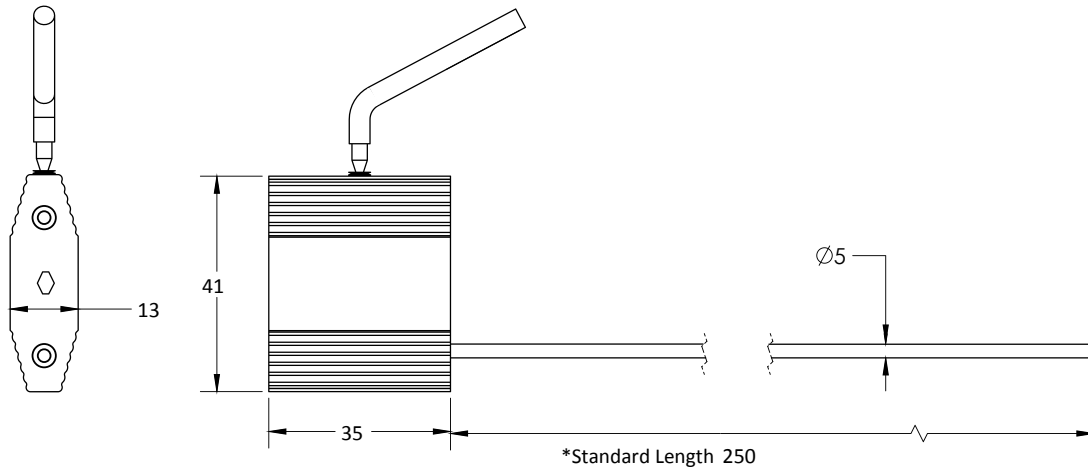
LASER MARKING OPTION



VIEW APPLICATION GIF



- 1 The Maxi Cable Breakaway 500 is designed to ensure cost-effectiveness and maximum security.
- 2 The external locking mechanism of this seal consists of a shear bolt that breaks away when the cable is tightly secured in the body.
- 3 The non-preformed galvanised steel wire unravels upon cutting to show clear evidence of tampering.
- 4 The rib exterior is designed to protect the laser markings during rough handling with anodisation of solid colour for colour coding.
- 5 Irreversible identifiers such as name, logo, barcode, serial number and QR code are laser-marked on the aluminium body.



TECHNICAL SPECIFICATIONS

*Customisable cable length upon request.

PRODUCT - MAXI CABLE BREAKAWAY 500 (MCB 500)

Code	Material	Cable Length	Cable Diameter	Tensile Strength	Marking Area	Max Marking Digits
MCB 500	Body : Aluminium Cable : Galvanised Steel Wire	250 mm (9.8 in)	∅ 5.0 mm (0.2 in)	≥1000 kgf (≥2204.6 lbf)	30 x 14 mm (1.2 x 0.6 in)	Serial no : 8 Serial no : 7

PACKAGING

Carton	Quantity	Dimensions (mm)	Gross Weight (kg)	Volume (m ³)	Standard Colours
Inner	150	300 x 270 x 160 (11.8 x 10.62 x 6.3 in)	9.675 (21.3 lb)	0.013 (0.5 cu.ft.)	Body : G R B BK GD SC

For colour customisations, kindly contact us for further information.

Carton size and weight vary according to cable length. Figures shown in the table are for the standard cable length packaging. Please contact us for additional details.

Updated Date : 06 May 2024