

MD DISPLAY



**MEGA FORTRIS**  
G R O U P

**INDICATIVE SEAL**

**MEGA TWISTER (MTW)**

**MEGA TWISTER TACHOGRAPH (MTW-T)**

**Application Seal**

***Fundamental and feasible piece for quick utility security.***

The Mega Twister & Mega Twister Tachograph is an elementary utility seal designed with essential tamper-evident features. The seal has a translucent body for quick inspection of the twister insert sealing. Colour coded inserts and ample identifier marking area eases operations. The seal is small in size and versatile for any securing and identifying purposes. These seals include the BioSphere bio-additive. To provide eco-conscious solutions on a wide array of applications, all Mega Fortris' security seal product lines with plastic content will include the BioSphere bio-additive from 13th May 2024.

**Applications:**

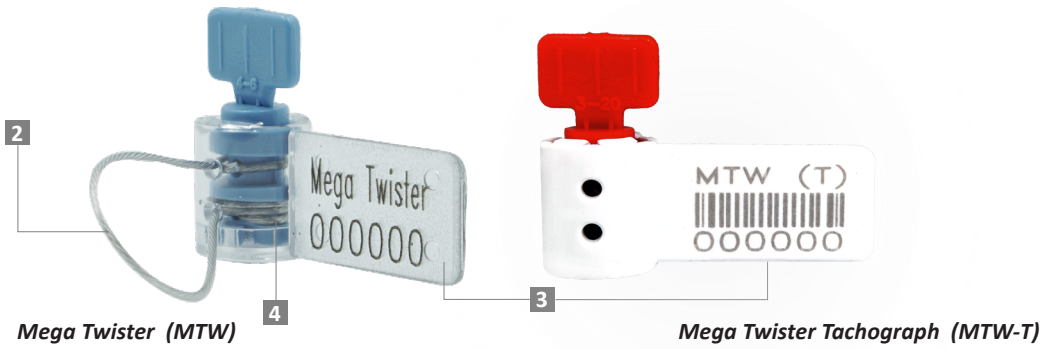
- Utility Meters & Scales
- Chemical and Oil Refinery
- Transportation
- Banking
- Tachographs



Our biodegradable plastic additives go deeper, allowing microbes to consume the C-C bonds within plastic's structure at a macromolecular level. This increases the surface area of plastic products and enables plastophilic microbes to attach to the polymer's newfound cavities. So, unlike regular plastic that can sit in a landfill for hundreds or thousands of years, plastic enhanced with BioSphere attracts over 600 different types of microbes that effectively digest and consume it.

**PREVENTION · PROTECTION · PEACE OF MIND**



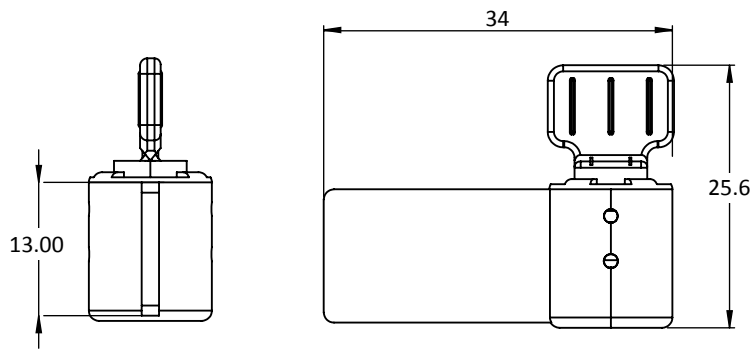


- 1 The Mega Twister is moulded with a twister locking insert in a plastic transparent body for a clear view of the locking and evidence of tampering.
- 2 Stainless steel wire is required for the twister locking to achieve quick and tight securing of the seals.
- 3 A marking area flap is placed on the side for irreversible laser marking of identifiers such as name, logo, serial number and QR code.
- 4 Colour coding is possible with a combination of clear plastic body and vibrant colour insert, which is available in a wide range of choices.
- 5 These seals include the BioSphere bio-additive.
- 6 Mega Twister Tachograph, EN16882 certified for use in tachograph environments.

LASER MARKING OPTION



VIEW APPLICATION GIF



TECHNICAL SPECIFICATIONS

| PRODUCT - MEGA TWISTER (MTW) & MEGA TWISTER TACHOGRAPH (MTW-T) |   |                    |                      |                      |                                    |  |
|--|---|--------------------|----------------------|----------------------|------------------------------------|--|
| Code   | Material  | Locking Length     | Locking Size         | Tensile Strength     | Marking Area                       | Max Marking Digits                         |
| MTW  | <b>Plastic body:</b><br>Polycarbonate (PC)<br>Temperature range:<br>-40°C to 85°C | 250 mm<br>(9.8 in) | ∅2.5 mm<br>(0.03 in) | >30 kgf<br>(>66 lbf) | 13 mm x 22 mm<br>(0.5 in x 0.9 in) | <b>Serial no : 6</b><br><b>Barcode : 6</b> |
|  | <b>Plastic insert:</b><br>Acetal<br>Temperature range:<br>-40°C to 120°C          |                    |                      |                      |                                    |  |
| MTW-T  | <b>Cable:</b><br>Plastic-coated Stainless Steel 304 (SUS 304)                     |                    |                      |                      |                                    |  |

PACKAGING

| Carton      | Quantity                           | Dimensions (mm)                           | Gross Weight (kg) | Volume (m³)              | Standard Colours   |
|-------------|------------------------------------|---|-------------------|--------------------------|--|
| Inner MTW   | 500                                | 255 x 205 x 145 mm<br>(10 x 8.1 x 5.7 in) | 2.5<br>(5.5 lb)   | 0.008<br>(0.283 cu. ft.) | Body : <span>WH</span> <span>FR</span>   |
|             | 1000                               |   |                   |                          | Insert : <span>WH</span> <span>YL</span> <span>OR</span> <span>GN</span> <span>RD</span> <span>BL</span> |
| Inner MTW-T | 2500<br>with wire                  | 255 x 205 x 145 mm<br>(10 x 8.1 x 5.7 in) | 2.5<br>(5.5 lb)   | 0.008<br>(0.283 cu. ft.) | <span>BK</span>  |
|             | 5000<br>with precut wire<br><64 cm |   |                   |                          | For colour customisations, kindly contact us for further information.                                    |

Updated Date : 10 May 2024