



## INDICATIVE SEAL

# COMPACT SEAL (COM)

### Application Seal

#### ***Rigid structure and precise locking for operation efficiency.***

Compact Seal is an indicative seal precisely structured to fit its application of sealing gas valve caps. The seal is durable to withstand harsh conditions and has a tear-off line for easy user removal.

These seals include the BioSphere bio-additive.

To provide eco-conscious solutions on a wide array of applications, all Mega Fortris' security seal product lines with plastic content will include the BioSphere bio-additive from 13th May 2024.



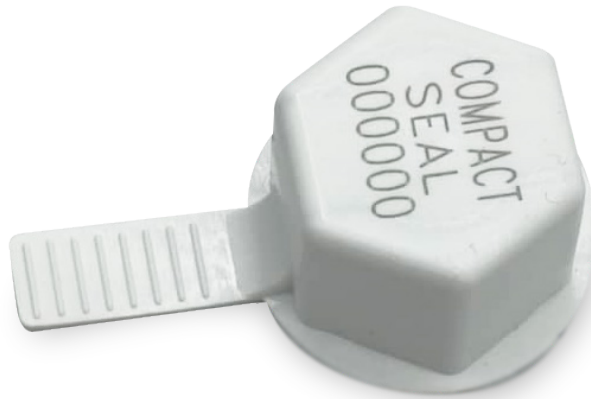
#### **Applications:**

- Oil & Gas

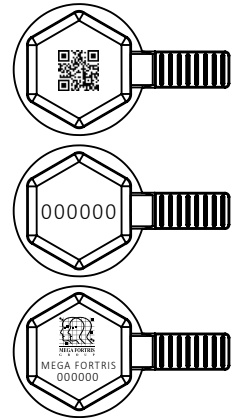
Our biodegradable plastic additives go deeper, allowing microbes to consume the C-C bonds within plastic's structure at a macromolecular level. This increases the surface area of plastic products and enables plastophilic microbes to attach to the polymer's newfound cavities. So, unlike regular plastic that can sit in a landfill for hundreds or thousands of years, plastic enhanced with BioSphere attracts over 600 different types of microbes that effectively digest and consume it.

PREVENTION · PROTECTION · PEACE OF MIND



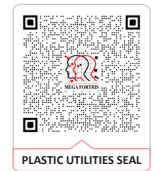


LASER MARKING OPTION



- 1 The Compact Seal is moulded with Low-Density Polyethylene (LDPE), making it a durable seal that can withstand harsh conditions.
- 2 Irreversible identifiers such as name, serial number and QR code are laser-marked on the side.
- 3 Default tear-off features allow for quick removal.
- 4 Have a visible tampering evidence after the application.
- 5 These seals include the BioSphere bio-additive.

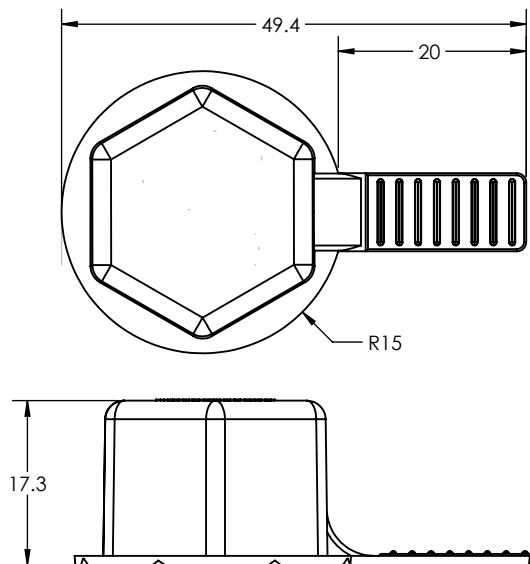
VIEW APPLICATION GIF



PLASTIC UTILITIES SEAL



LDPE



TECHNICAL SPECIFICATIONS

PRODUCT - COMPACT SEAL						
Code	Material	Locking Length	Locking Size	Tensile Strength	Marking Area	Max Marking Digits
COM	Plastic : Polypropylene (PP) + Low Density Polyethylene (LDPE)	N/A	N/A	N/A	Ø 15 mm (0.58 x 1.7 in)	Serial no : 8 QR Code
PACKAGING						
Carton	Quantity	Dimensions (mm)	Gross Weight (kg)	Volume (m <sup>3</sup> )	Standard Colours	
Inner	1000	505 x 337 x 136 (19.9 x 13.3 x 5.6 in)	3.84 (8.47 lb)	0.0231 (0.8158 cu.ft)	Body : <input type="checkbox"/> WH <input checked="" type="checkbox"/> BK	

For colour customisations, kindly contact us for further information.

Updated Date : 13 May 2024